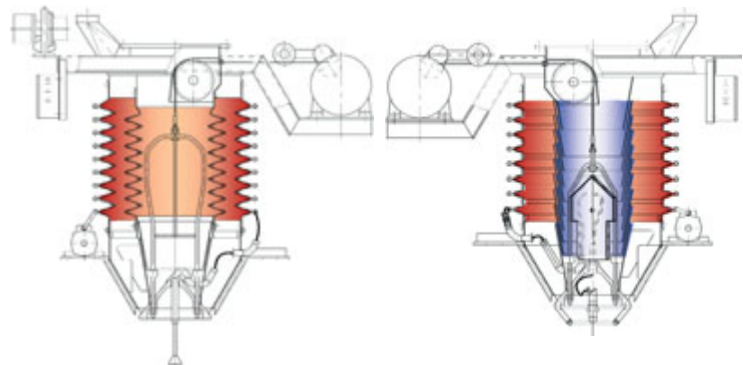


Stationary Loading Device

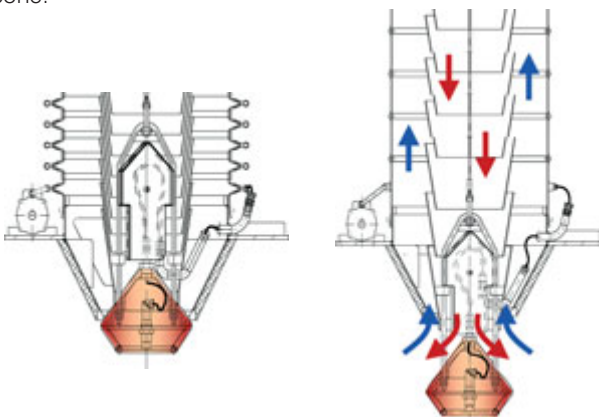
The Claudius Peters Stationary Loading Device is available as single aggregate fit for all dustfree loading purposes. The chute is equipped either with double bellows or - for highly abrasive materials - with steel cones and connects the silo discharge system and the vehicle in such a way as to preserve a totally closed conveying system. The bellows-type loading spout accommodates for the different heights of the vehicles and for the varying diameters of the inlet sockets on the vehicles.

All of the necessary controls and operation panels are included in the loading equipment. As option a vibrator can be installed at the loading cone.



Double bellows chute for standard materials (e.g. cement)

Steel cone chute for abrasive materials (e.g. fly ash)



Lifted position - cone closed

In operation - cone open



Compact base frame including winch, dedusting socket and supporting structure

Advantages of Claudius Peters Stationary Loading Device

- For simple loading procedures without travelling ranges
- Short loading time
- Absolute dust-free loading
- Minimum maintenance
- Low construction height
- Low weight
- Stationary material inlet with integrated dedusting socket
- Compact loading chute with integrated winch, filling level sensor and shut-off cone
- Electrical filling sensor and vibrator for additional spout cleaning as option available

Stationary Loading Device



Typical loading process of a stationary loading device



Mobile loader with traveling ranges between 1 and 15 m

Stationary Loading Device - Type BPF (with integrated filter)



Advantages of Claudius Peters Stationary Loading Device

- Dedusting directly at source
- No external filters needed
- Capacity up to 150 t/h
- To be used for stationary loading
- Loading spout as double bellows type or steel cone type

Sensor types	Pneumatic sensor	Capacitive sensor	Rotation sensor	Vibration sensor
Max. material temperature	150	80	80	150
Ambient temperatures	-40°C up to +60°C	-40°C up to +60°C	-40°C up to +60°C	-40°C up to +70°C
Main features	<ul style="list-style-type: none"> • Robust design • Electric parts outside material stream 	<ul style="list-style-type: none"> • Economic price 	<ul style="list-style-type: none"> • For sticky materials 	<ul style="list-style-type: none"> • For fine materials • Electric parts outside material stream

Claudius Peters Projects GmbH

Schanzenstraße 40 | D-21614 Buxtehude | Germany
 Tel: +49 4161 706-0 | Fax: +49 4161 706-270
 projects@claudiuspeters.com

The information contained within this brochure is deemed to be correct at the time of going to press. Due to the policy of continued improvement, we reserve the right to change any specification without prior notice.
 ERRORS & OMISSIONS EXCEPTED

CP Data SLD GB November 2011/Issue 1/JWN



CLAUDIUS PETERS

www.claudiuspeters.com

A Langley Holdings Company