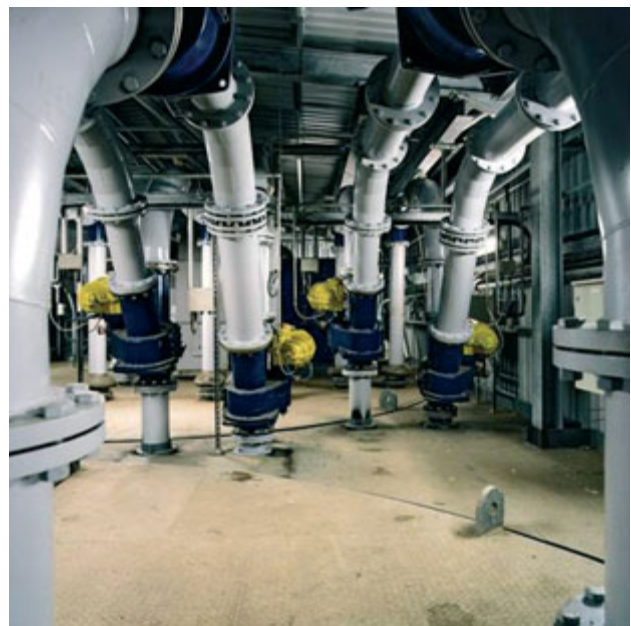


Two-Way Valve

The Claudius Peters Two-Way Valve is installed in pneumatic conveying pipelines for alternative feeding of two material conveying routes. The most striking feature of the two-way valve is its compact design. The drive is flanged directly to the shaft which allows for a most precise positioning of the valve disk. The Claudius Peters Two-Way Valve is designed for non-explosive and explosive bulk materials.

One basic device can be supplied with different drive variants such as:

- H (manual),
- P (pneumatic drive)
- M (motor actuator drive)



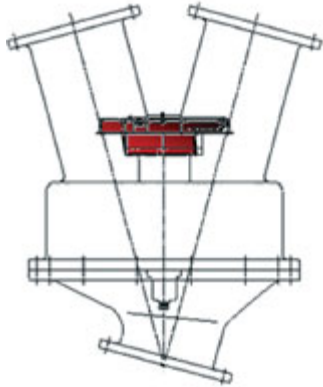
Advantages of Claudius Peters Two-Way Valve

- Feeding to two different conveying routes
- Low pressure loss
- Symmetric form
- Simple exchange of wear parts
- Long service life
- Compact design
- High positioning accuracy
- Simple installation
- Precise movement to the sealing position
- End positions of the valve disk are defined by the limit switches integrated in the drive

Two-Way Valve

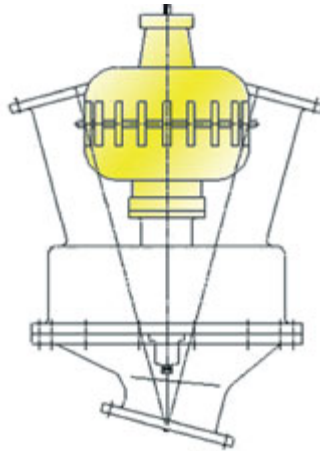
Type MANUAL

Manually by lever



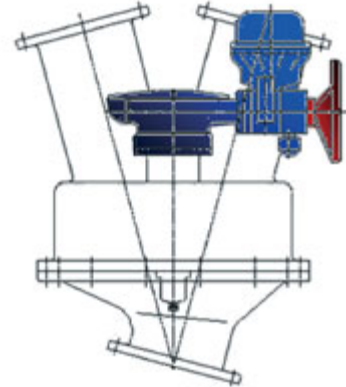
Type PNEU

Pneumatically by electro-pneumatic rotary vane drive

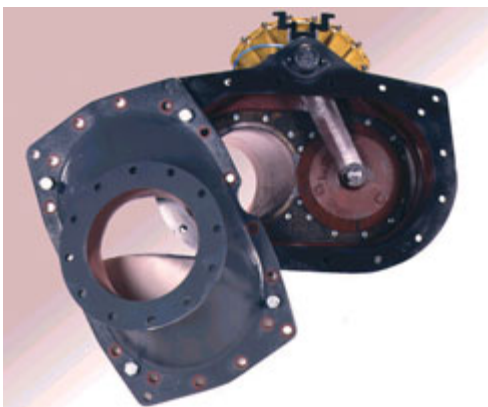


Type MOT

Motor-driven by actuator drive (incl. manual handwheel)



Design	Non-explosive solids STANDARD TYPE	Explosive bulk solids PRESSURE SHOCK RESISTANT TYPE
Conveying pressure [bar(g)]	≤ 1,5	≤ 1,2
Atmospheric explosion overpressure of the bulk material [bar(g)]	-	≤ to 10
Temperature range of the bulk material [°C]	- 40 ... + 150	- 10...+ 100



Intelligent maintenance concept

- For dismantling of the wear plate and the valve disk, the housing can be opened and swung to the side
- Automatic lubrication of the rotary shaft
- For cleaning of the valve as well as for checking of the wear plate and the valve disk, the housing is equipped with a handhole cover

Claudius Peters Projects GmbH

Schanzenstraße 40 | D-21614 Buxtehude | Germany

Tel: +49 4161 706-0 | Fax: +49 4161 706-270

projects@claudiuspeters.com

The information contained within this brochure is deemed to be correct at the time of going to press. Due to the policy of continued improvement, we reserve the right to change any specification without prior notice.
ERRORS & OMISSIONS EXCEPTED

CP Data 2-WV GB November 2011/Issue 1/JWN



CLAUDIUS PETERS

www.claudiuspeters.com

A Langley Holdings Company